

PROFILE

Installation depth: 70 mm, highest A class

CONSTRUCTION

A 5-chamber profile of the outside wall depth of 2,8 mm, seamless joint welding

COLOUR

White, wood-imitating, solid veneers according to the RAL range

FITTINGS

Multi-point locking fittings of an increased anti-corrosion protection, optional Designo fitting, RC2 anti-burglar, Tilt-First

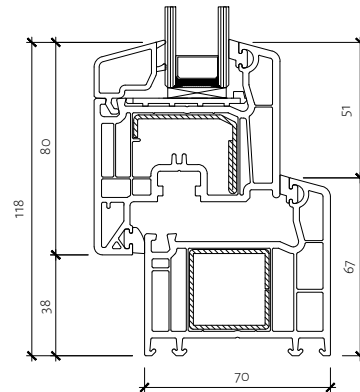
SEALS

Two replaceable seals



FEATURES

MAX DIMENSIONS	96" x 120" or 120" x 96"
INSTALLATION HARDWARE	CLIP OR FIN
OPERATION	-TILD/TURN IN -SWING DOORS -SLIDING DOORS



PERFORMANCE

THERMAL RESISTANCE	U-Value as low as .17
STC	35-44
SHGC	as low as 0.17